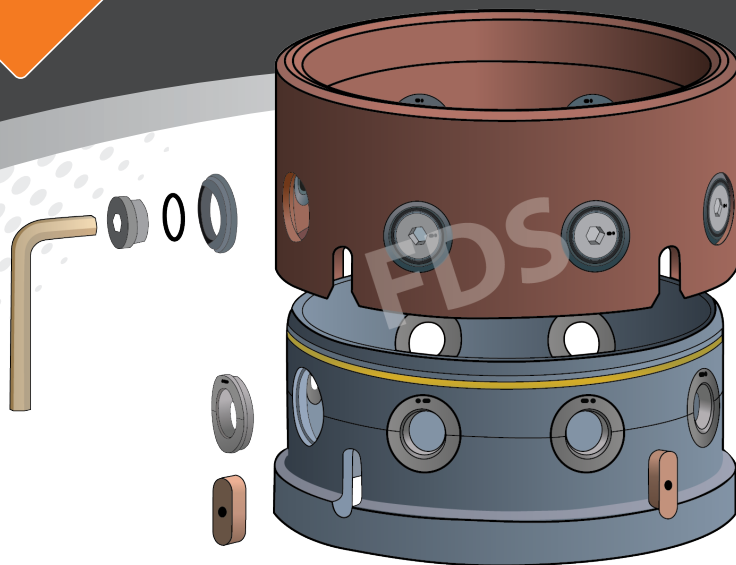




CASING CONNECTION

MANY OF OUR CUSTOMERS WITH A SIMILAR ORDER HAVE FOUND THESE ADDITIONAL TOOLS AND ACCESSORIES VERY VALUABLE. PLEASE CONSIDER THE FOLLOWING



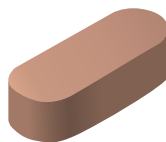
Casing screw and O-Ring
No Sharp Threads: Prevents cuts to gloves and fingers, ensuring easy handling in site environment



Threaded Ring (female joint)
Precision-Engineered from our casing manufacturer to guarantee a perfect fit and extend the joint's lifetime



Conical Ring (male joint)
Precision-Engineered from our casing manufacturer to guarantee a perfect fit and extend the joint's lifetime



Locking key



Wrench for casing screws



Scraper for cleaning casing joints
Customer-Recommended: Durable and robust, designed for slick and efficient cleaning of the casing joints



Bullet teeth
Customer Favorite: Our most versatile and durable drilling tooth, exceptionally effective in tough rock conditions and maintaining cutting-edge performance.



Tremie Fork:
Lightweight Yet Sturdy: built from durable aluminum, designed to securely hold your 10-inch tremie pipe on top of the casing

